



Jacking beams

4 Post lift

Scissor lifts



WERTHER INTERNATIONAL SpA

via Brunelleschi 12, - 42124 Reggio Emilia ITALY

Tel. +39 0522 9431 / +39 346 98 37 325 / +39 346 98 37 443

Fax +39 0522 941997

info@wertherint.com

www.wertherint.com

Jacking beams

4 Post lift



Manual Pump, Pneumatic Pump

	MODEL	402M		402P		402/2M		402/2M	
		TYPE	MANUAL PUMP	PNEUMATIC PUMP	MANUAL PUMP	PNEUMATIC PUMP	MANUAL PUMP	PNEUMATIC PUMP	
PLATFORM PROFILE	CAPACITY (ton.)	1,6	1,6	2	2				
436	.5	L1213	L1223	L1553	L1563				
442LP	.4	L1212	L1222	L1552	L1562				
450N/S	.4	L1212	L1222	L1552	L1562				
460	.10	NA	NA	NA	NA				
480	.10	NA	NA	NA	NA				
412	.6R	NA	NA	NA	NA				
430BL	.5	L1213	L1223	L1553	L1563				
443ATLT	.7	L1215	L1225	L1555	L1565				
443ATLT48	.7	L1215	L1225	L1555	L1565				
450AT	.4	L1212	L1222	L1552	L1562				
450 3DB	.8	L1216	L1226	L1556	L1566				
450AT/5	.4	L1212	L1222	L1552	L1562				
450LT	.3	L1211	L1221	L1551	L1561				
450ATLT	.3	L1211	L1221	L1551	L1561				
450ATLT+PG4M	.7	L1215	L1225	L1555	L1565				
455 3DB	.8	L1216	L1226	L1556	L1566				
460AT	.10	NA	NA	NA	NA				
480AT	.10	NA	NA	NA	NA				
443	.4	L1212	L1222	L1552	L1562				
443JCB	.4	L1212	L1222	L1552	L1562				

Jacking beams

4 Post lift



Manual Pump, Pneumatic Pump

	MODEL	402M	402P	402/2M	402/2M
	TYPE	MANUAL PUMP	PNEUMATIC PUMP	MANUAL PUMP	PNEUMATIC PUMP
PLATFORM PROFILE	CAPACITY (ton.)	1,6	1,6	2	2
443JC	.4	L1212	L1222	L1552	L1562
450JC	.4	L1212	L1222	L1552	L1562
450JCB	.4	L1212	L1222	L1552	L1562
450MOT CLASS VII	.4	L1212	L1222	L1552	L1562
450JC5	.4	L1212	L1222	L1552	L1562
450JCB5	.4	L1212	L1222	L1552	L1562
450JC65	.4	L1212	L1222	L1552	L1562
450ATLTJC	.4	L1212	L1222	L1552	L1562
460JC	.10	NA	NA	NA	NA

Jacking beams

4 Post lift



Double Scissor Manual Pump, Double Scissor Pneumatic Pump

	MODEL	496M	496P	496/3M	496/3P
	TYPE	DOUBLE SCISSOR MANUAL PUMP	DOUBLE SCISSOR PNEUMATIC PUMP	DOUBLE SCISSOR MANUAL PUMP	DOUBLE SCISSOR PNEUMATIC PUMP
PLATFORM PROFILE	CAPACITY (ton.)	2	2	3	3
436	.5	L9167	L9176	L1233	L1243
442LP	.4	L9166	L9174	L1232	L1242
450N/S	.4	L9166	L9174	L1232	L1242
460	.10	NA	NA	L1481	L1478
480	.10	NA	NA	L1481	L1478
412	.6R	NA	NA	NA	NA
430BL	.5	L9167	L9176	L1233	L1243
443ATLT	.7	L9179	L9180	L1235	L1245
443ATLT48	.7	L9179	L9180	L1235	L1245
450AT	.4	L9166	L9174	L1232	L1242
450 3DB	.8	L9181	L9182	L1236	L1246
450AT/5	.4	L9166	L9174	L1232	L1242
450LT	.3	L9168	L9175	L1231	L1241
450ATLT	.3	L9168	L9175	L1231	L1241
450ATLT+PG4M	.7	L9179	L9180	L1235	L1245
455 3DB	.8	L9181	L9182	L1236	L1246
460AT	.10	NA	NA	L1481	L1478
480AT	.10	NA	NA	L1481	L1478
443	.4	L9166	L9174	L1232	L1242
443JCB	.4	L9166	L9174	L1232	L1242

Jacking beams

4 Post lift



Double Scissor Manual Pump, Double Scissor Pneumatic Pump

MODEL	496M	496P	496/3M	496/3P	
TYPE	DOUBLE SCISSOR MANUAL PUMP	DOUBLE SCISSOR PNEUMATIC PUMP	DOUBLE SCISSOR MANUAL PUMP	DOUBLE SCISSOR PNEUMATIC PUMP	
PLATFORM PROFILE	CAPACITY (ton.)	2	2	3	3

443JC	.8W		L9166	L9174	L1232	L1242
450JC	.8W		L9166	L9174	L1232	L1242
450JCB	.8W		L9166	L9174	L1232	L1242
450MOT CLASS VII	.8W		L9166	L9174	L1232	L1242
450JC5	.8W		L9166	L9174	L1232	L1242
450JCB5	.8W		L9166	L9174	L1232	L1242
450JC65	.8W		L9166	L9174	L1232	L1242
450ATLTJC	.8W		L9166	L9174	L1232	L1242
460JC	.7		NA	NA	L1481	L1478

Jacking beams

4 Post lift

Manual Pump, Pneumatic Pump



			MODEL	403M	403P	404M	404P	406P
			TYPE	MANUAL PUMP	PNEUMATIC PUMP	MANUAL PUMP	PNEUMATIC MANUAL PUMP	PNEUMATIC PUMP
PLATFORM PROFILE	CAPACITY (ton.)			3	3	4	4	6
436	.5			L1253	L1263	L1140	L1150	L1933
442LP	.4			L1252	L1262	L1143	L1153	NA
450N/S	.4			L1252	L1262	L1143	L1153	NA
460	.10			L1259	L1482	L1144	L1154	L1939
480	.10			L1259	L1482	L1144	L1154	L1939
412	.6R			NA	NA	NA	NA	L1938
430BL	.5			L1253	L1263	L1140	L1150	L1933
443ATLT	.7			L1255	L1265	L1141	L1151	L1935
443ATLT48	.7			L1255	L1265	L1141	L1151	L1935
450AT	.4			L1252	L1262	L1143	L1153	NA
450 3DB	.8			L1256	L1266	L1142	L1152	L1937
450AT/5	.4			L1252	L1262	L1143	L1153	NA
450LT	.3			L1251	L1261	NA	NA	NA
450ATLT	.3			L1251	L1261	NA	NA	NA
450ATLT+PG4M	.7			L1255	L1265	L1141	L1151	L1935
455 3DB	.8			L1256	L1266	L1142	L1152	L1937
460AT	.10			L1259	L1482	L1144	L1154	L1939
480AT	.10			L1259	L1482	L1144	L1154	L1939
443	.4			L1252	L1262	L1143	L1153	NA
443JCB	.4			L1252	L1262	L1143	L1153	NA

Jacking beams

4 Post lift

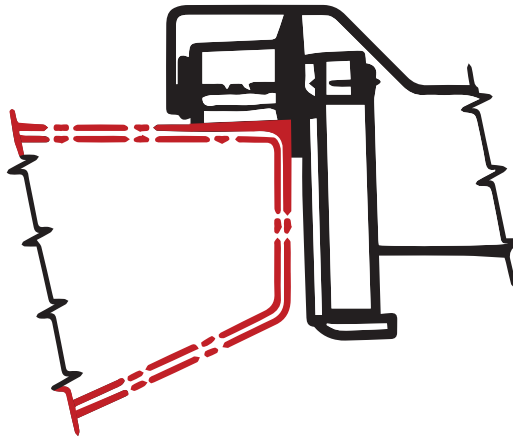


Manual Pump, Pneumatic Pump

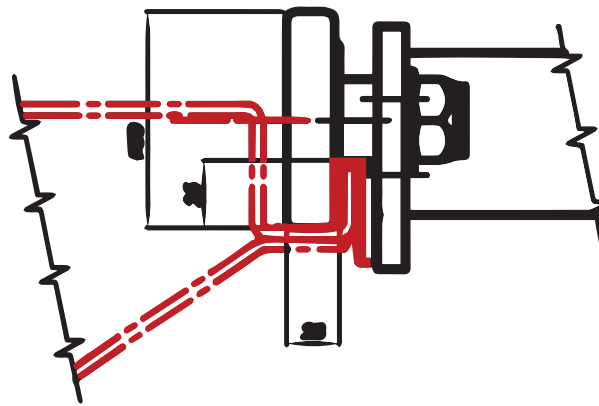
		MODEL					
		403M	403P	404M	404P	406P	
		MANUAL PUMP	PNEUMATIC PUMP	MANUAL PUMP	PNEUMATIC MANUAL PUMP	PNEUMATIC PUMP	
PLATFORM PROFILE	CAPACITY (ton.)	3	3	4	4	6	
443JC	.4	L1252	L1262	L1143	L1153	NA	
450JC	.4	L1252	L1262	L1143	L1153	NA	
450JCB	.4	L1252	L1262	L1143	L1153	NA	
450MOT CLASS VII	.4	L1252	L1262	L1143	L1153	NA	
450JC5	.4	L1252	L1262	L1143	L1153	NA	
450JCB5	.4	L1252	L1262	L1143	L1153	NA	
450JC65	.4	L1252	L1262	L1143	L1153	NA	
450ATLTJC	.4	L1252	L1262	L1143	L1153	NA	
460JC	.10	L1259	L1482	L1144	L1154	L1939	



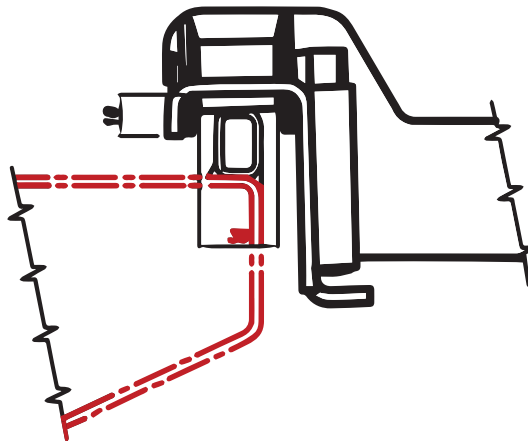
.3



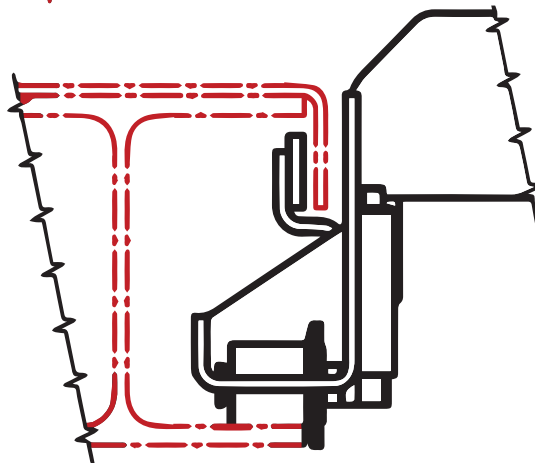
.4



.5

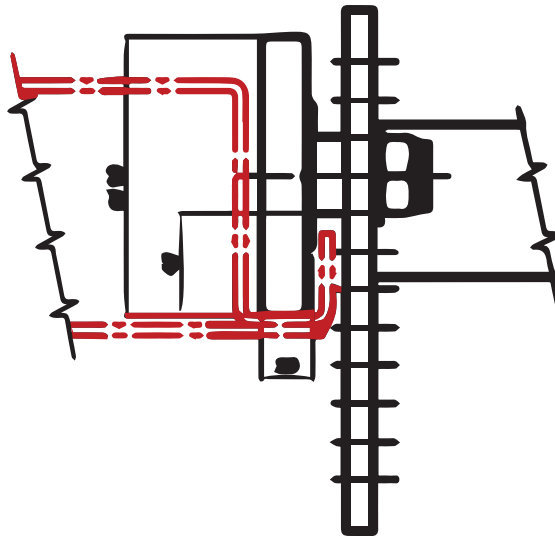


.6R

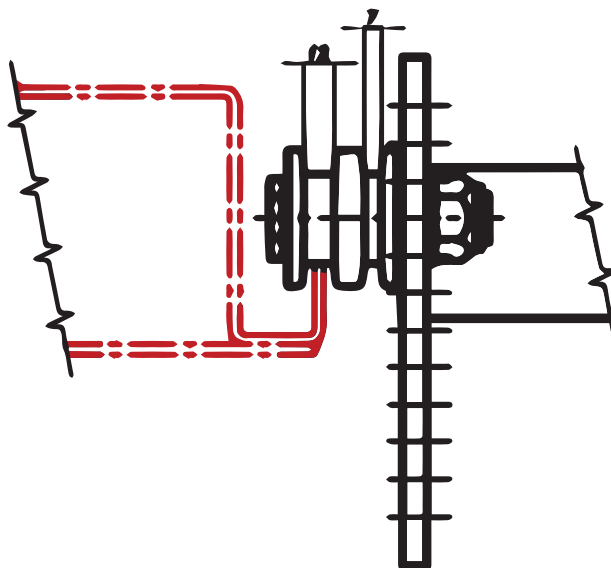




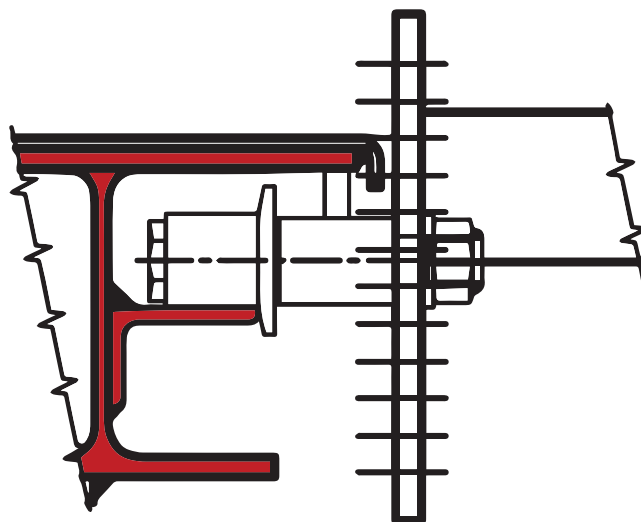
.7



.8



.10



Jacking beams

Scissor Lifts



Manual Pump, Pneumatic Pump

MODEL	402M	402P	402/2M	402/2P
TYPE	MANUAL PUMP	PNEUMATIC PUMP	MANUAL PUMP	PNEUMATIC PUMP
PLATFORM PROFILE	CAPACITY (ton.)	1,6	1,6	2

WT40 N	.8W	NA	L1229	L1443	L1444
WT40 N+PG	.8W	NA	L1229	L1443	L1444
WT40 AT	.8W	NA	L1229	L1443	L1444
WT40 AT+PG	.8W	NA	L1229	L1443	L1444
WT40 LT	.8W	NA	L1229	L1443	L1444
WT40 LT+PG	.8W	NA	L1229	L1443	L1444
WT40 ATLT	.8W	NA	L1229	L1443	L1444
WT40 ATLT+PG	.8W	NA	L1229	L1443	L1444
SATURNUS EV45 N	.7	L1215	L1225	L1555	L1565
SATURNUS EV45 N+PG	.7	L1215	L1225	L1555	L1565
SATURNUS EV45 AT	.7	L1215	L1225	L1555	L1565
SATURNUS EV45 AT+PG	.7	L1215	L1225	L1555	L1565
SATURNUS EV45 LT	.7	L1215	L1225	L1555	L1565
SATURNUS EV45 LT+PG	.7	L1215	L1225	L1555	L1565
SATURNUS EV45 ATLT	.7	L1215	L1225	L1555	L1565
SATURNUS EV45 ATLT+PG	.7	L1215	L1225	L1555	L1565
SATURNUS EV50 N	.7	L1215	L1225	L1555	L1565
SATURNUS EV50 N+PG	.7	L1215	L1225	L1555	L1565
SATURNUS EV50 AT	.7	L1215	L1225	L1555	L1565
SATURNUS EV50 AT+PG	.7	L1215	L1225	L1555	L1565
SATURNUS EV50 LT	.7	L1215	L1225	L1555	L1565
SATURNUS EV50 LT+PG	.7	L12158	L1225	L1555	L1565

Jacking beams

Scissor Lifts



Manual Pump, Pneumatic Pump

MODEL	402M	402P	402/2M	402/2P
TYPE	MANUAL PUMP	PNEUMATIC PUMP	MANUAL PUMP	PNEUMATIC PUMP
PLATFORM PROFILE	CAPACITY (ton.)	1,6	1,6	2

SATURNUS EV50 ATLT	.7		L1215	L1225	L1555	L1565
SATURNUS EV50 ATLT+PG	.7		L1215	L1225	L1555	L1565
SATURNUS EV45JC	.7		L1215	L1225	L1555	L1565
SATURNUS EV50JC	.7		L1215	L1225	L1555	L1565
SATURNUS 40R N	.8W		NA	L1229	L1443	L1444
SATURNUS 40R NPG	.8W		NA	L1229	L1443	L1444
SATURNUS 40R AT	.8W		NA	L1229	L1443	L1444
SATURNUS 40R ATPG	.8W		NA	L1229	L1443	L1444
SATURNUS 40R LT	.8W		NA	L1229	L1443	L1444
SATURNUS 40R ATLT	.8W		NA	L1229	L1443	L1444
SATURNUS 50R N	.8W		NA	L1229	L1443	L1444
SATURNUS 50R NPG	.8W		NA	L1229	L1443	L1444
SATURNUS 50R AT	.8W		NA	L1229	L1443	L1444
SATURNUS 50R ATPG	.8W		NA	L1229	L1443	L1444
SATURNUS 50R LT	.8W		NA	L1229	L1443	L1444
SATURNUS 50R ATLT	.8W		NA	L1229	L1443	L1444
WX60N	.8W		NA	L1229	L1443	L1444
WX60AT	.8W		NA	L1229	L1443	L1444
WX60LT	.8W		NA	L1229	L1443	L1444
WX60ATLT	.8W		NA	L1229	L1443	L1444
TRUCK100GL	.7		L1215	L1225	L1555	L1565
TRUCK200GL	.7		L1215	L1225	L1555	L1565

Jacking beams

Scissor Lifts



Double Scissor Manual Pump, Double Scissor Pneumatic Pump

		MODEL		496M	496P	496/3M	496/3P
		TYPE		DOUBLE SCISSOR MANUAL PUMP	DOUBLE SCISSOR PNEUMATIC PUMP	DOUBLE SCISSOR MANUAL PUMP	DOUBLE SCISSOR PNEUMATIC PUMP
PLATFORM PROFILE	CAPACITY (ton.)	2	2	3	3		
WT40 N	.8W	L1445	L1446	L1447	L1448		
WT40 N+PG	.8W	L1445	L1446	L1447	L1448		
WT40 AT	.8W	L1445	L1446	L1447	L1448		
WT40 AT+PG	.8W	L1445	L1446	L1447	L1448		
WT40 LT	.8W	L1445	L1446	L1447	L1448		
WT40 LT+PG	.8W	L1445	L1446	L1447	L1448		
WT40 ATLT	.8W	L1445	L1446	L1447	L1448		
WT40 ATLT+PG	.8W	L1445	L1446	L1447	L1448		
SATURNUS EV45 N	.7	L9179	L9180	L1235	L1245		
SATURNUS EV45 N+PG	.7	L9179	L9180	L1235	L1245		
SATURNUS EV45 AT	.7	L9179	L9180	L1235	L1245		
SATURNUS EV45 AT+PG	.7	L9179	L9180	L1235	L1245		
SATURNUS EV45 LT	.7	L9179	L9180	L1235	L1245		
SATURNUS EV45 LT+PG	.7	L9179	L9180	L1235	L1245		
SATURNUS EV45 ATLT	.7	L9179	L9180	L1235	L1245		
SATURNUS EV45 ATLT+PG	.7	L9179	L9180	L1235	L1245		
SATURNUS EV50 N	.7	L9179	L9180	L1235	L1245		
SATURNUS EV50 N+PG	.7	L9179	L9180	L1235	L1245		
SATURNUS EV50 AT	.7	L9179	L9180	L1235	L1245		
SATURNUS EV50 AT+PG	.7	L9179	L9180	L1235	L1245		
SATURNUS EV50 LT	.7	L9179	L9180	L1235	L1245		
SATURNUS EV50 LT+PG	.7	L9179	L9180	L1235	L1245		

Jacking beams

Scissor Lifts



Double Scissor Manual Pump, Double Scissor Pneumatic Pump

	MODEL	496M	496P	496/3M	496/3P
	TYPE	DOUBLE SCISSOR MANUAL PUMP	DOUBLE SCISSOR PNEUMATIC PUMP	DOUBLE SCISSOR MANUAL PUMP	DOUBLE SCISSOR PNEUMATIC PUMP
PLATFORM PROFILE	CAPACITY (ton.)	2	2	3	3
SATURNUS EV50 ATLT	.7	L9179	L9180	L1235	L1245
SATURNUS EV50 ATLT+PG	.7	L9179	L9180	L1235	L1245
SATURNUS EV45JC	.7	L9179	L9180	L1235	L1245
SATURNUS EV50JC	.7	L9179	L9180	L1235	L1245
SATURNUS 40R N	.8W	L1445	L1446	L1447	L1448
SATURNUS 40R NPG	.8W	L1445	L1446	L1447	L1448
SATURNUS 40R AT	.8W	L1445	L1446	L1447	L1448
SATURNUS 40R ATPG	.8W	L1445	L1446	L1447	L1448
SATURNUS 40R LT	.8W	L1445	L1446	L1447	L1448
SATURNUS 40R ATLT	.8W	L1445	L1446	L1447	L1448
SATURNUS 50R N	.8W	L1445	L1446	L1447	L1448
SATURNUS 50R NPG	.8W	L1445	L1446	L1447	L1448
SATURNUS 50R AT	.8W	L1445	L1446	L1447	L1448
SATURNUS 50R ATPG	.8W	L1445	L1446	L1447	L1448
SATURNUS 50R LT	.8W	L1445	L1446	L1447	L1448
SATURNUS 50R ATLT	.8W	L1445	L1446	L1447	L1448
WX60N	.8W	L1445	L1446	L1447	L1448
WX60AT	.8W	L1445	L1446	L1447	L1448
WX60LT	.8W	L1445	L1446	L1447	L1448
WX60ATLT	.8W	L1445	L1446	L1447	L1448
TRUCK100GL	.7	L9179	L9180	L1235	L1245
TRUCK200GL	.7	L9179	L9180	L1235	L1245

Jacking beams

Scissor Lifts



Manual Pump, Pneumatic Pump

MODEL	403M	403P	404M	404P	406P		
TYPE	MANUAL PUMP	PNEUMATIC PUMP	MANUAL PUMP	PNEUMATIC MANUAL PUMP	PNEUMATIC PUMP		
PLATFORM PROFILE	CAPACITY (ton.)		3	3	4	4	6

WT40 N	.8W		L1442	L1441	NA	L1156	NA
WT40 N+PG	.8W		L1442	L1441	NA	L1156	NA
WT40 AT	.8W		L1442	L1441	NA	L1156	NA
WT40 AT+PG	.8W		L1442	L1441	NA	L1156	NA
WT40 LT	.8W		L1442	L1441	NA	L1156	NA
WT40 LT+PG	.8W		L1442	L1441	NA	L1156	NA
WT40 ATLT	.8W		L1442	L1441	NA	L1156	NA
WT40 ATLT+PG	.8W		L1442	L1441	NA	L1156	NA
SATURNUS EV45 N	.7		L1255	L1265	L1141	L1151	L1935
SATURNUS EV45 N+PG	.7		L1255	L1265	L1141	L1151	L1935
SATURNUS EV45 AT	.7		L1255	L1265	L1141	L1151	L1935
SATURNUS EV45 AT+PG	.7		L1255	L1265	L1141	L1151	L1935
SATURNUS EV45 LT	.7		L1255	L1265	L1141	L1151	L1935
SATURNUS EV45 LT+PG	.7		L1255	L1265	L1141	L1151	L1935
SATURNUS EV45 ATLT	.7		L1255	L1265	L1141	L1151	L1935
SATURNUS EV45 ATLT+PG	.7		L1255	L1265	L1141	L1151	L1935
SATURNUS EV50 N	.7		L1255	L1265	L1141	L1151	L1935
SATURNUS EV50 N+PG	.7		L1255	L1265	L1141	L1151	L1935
SATURNUS EV50 AT	.7		L1255	L1265	L1141	L1151	L1935
SATURNUS EV50 AT+PG	.7		L1255	L1265	L1141	L1151	L1935
SATURNUS EV50 LT	.7		L1255	L1265	L1141	L1151	L1935
SATURNUS EV50 LT+PG	.7		L1255	L1265	L1141	L1151	L1935

Jacking beams

Scissor Lifts



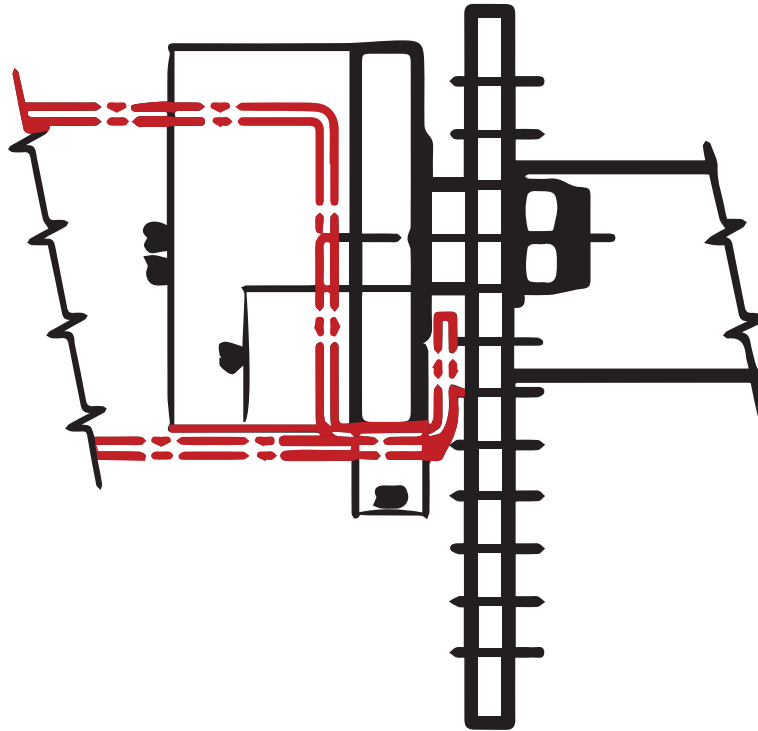
Manual Pump, Pneumatic Pump

MODEL	403M	403P	404M	404P	406P
TYPE	MANUAL PUMP	PNEUMATIC PUMP	MANUAL PUMP	PNEUMATIC MANUAL PUMP	PNEUMATIC PUMP
PLATFORM PROFILE	CAPACITY (ton.)				
	3	3	4	4	6

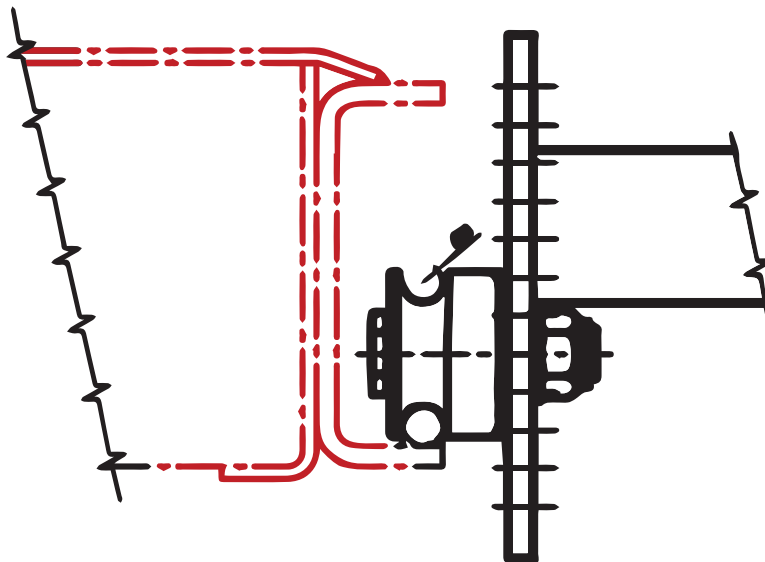
SATURNUS EV50 ATLT	.7	L1255	L1265	L1141	L1151	L1935
SATURNUS EV50 ATLT+PG	.7	L1255	L1265	L1141	L1151	L1935
SATURNUS EV45JC	.7	L1255	L1265	L1141	L1151	L1935
SATURNUS EV50JC	.7	L1255	L1265	L1141	L1151	L1935
SATURNUS 40R N	.8W	L1442	L1441	NA	L1156	NA
SATURNUS 40R NPG	.8W	L1442	L1441	NA	L1156	NA
SATURNUS 40R AT	.8W	L1442	L1441	NA	L1156	NA
SATURNUS 40R ATPG	.8W	L1442	L1441	NA	L1156	NA
SATURNUS 40R LT	.8W	L1442	L1441	NA	L1156	NA
SATURNUS 40R ATLT	.8W	L1442	L1441	NA	L1156	NA
SATURNUS 50R N	.8W	L1442	L1441	NA	L1156	NA
SATURNUS 50R NPG	.8W	L1442	L1441	NA	L1156	NA
SATURNUS 50R AT	.8W	L1442	L1441	NA	L1156	NA
SATURNUS 50R ATPG	.8W	L1442	L1441	NA	L1156	NA
SATURNUS 50R LT	.8W	L1442	L1441	NA	L1156	NA
SATURNUS 50R ATLT	.8W	L1442	L1441	NA	L1156	NA
WX60N	.8W	L1442	L1441	NA	L1156	NA
WX60AT	.8W	L1442	L1441	NA	L1156	NA
WX60LT	.8W	L1442	L1441	NA	L1156	NA
WX60ATLT	.8W	L1442	L1441	NA	L1156	NA
TRUCK100GL	.7	L1255	L1265	L1141	L1151	L1935
TRUCK200GL	.7	L1255	L1265	L1141	L1151	L1935



.7



.8W



NOTE





WERTHER INTERNATIONAL SpA

via Brunelleschi 12, - 42124 Reggio Emilia ITALY

Tel. +39 0522 9431 / +39 346 98 37 325 / +39 346 98 37 443

Fax +39 0522 941997

info@wertherint.com

www.wertherint.com

REL. 2021.8